

GESTRA Steam Systems

Steam Traps

UNA 23h/v, PN 16, DN 15, 20, 25, 40, 50

UNA 25h/v, PN 40, DN 15, 20, 25, 40, 50

UNA 26h/v, PN 40, DN 15, 20, 25, 40, 50

UNA 26h Stainless Steel, PN 40, DN 15, 20, 25, 40, 50

Description

UNA 2.. are ball float traps with rolling ball closing mechanisms (control unit SIMPLEX / DUPLEX) or with bellows-type closing mechanism (control units SIMPLEX-MAX/DUPLEX-MAX). The steam traps work independently of back pressure, thus ensuring universal application.

The steam trap UNA 2.. features a body with bolted cover and a regulating unit. The component parts can be exchanged after removing the cover but without having to take the equipment out of the pipe (easy in-line maintenance). Different types of regulating unit are available for the steam traps.

The regulating unit **SIMPLEX** is a level-dependent float-actuated control unit and particularly well suited for cold condensate and superheated steam. The regulating unit **DUPLEX** is a float-actuated control unit for temperature-dependent and automatic deaeration of saturated steam systems.

The regulating unit **SIMPLEX-MAX** is a level-dependent float-actuated control unit for large condensate flowrates and particularly well suited for cold condensate and superheated steam. The regulating unit **DUPLEX-MAX** is a float-actuated control unit for large condensate flowrates and suitable for the temperature-dependent and automatic deaeration of saturated steam systems.

UNA 2...h for installation in horizontal lines

UNA 2...v for installation in vertical lines

The steam trap UNA 23 h/v is also available with an integrated sightglass cover for level indication.

Function

The ball valve of the control unit is operated by the float as a function of the condensate level in the trap. The cross-sectional area (CSA) of the orifice dictates the max. flowrate when the valve is completely open. The max. admissible differential pressure of the control unit is a function of the CSA of the orifice and the density of the fluid to be discharged, and limited by the specified pressure / temperature ratings of the trap body. There are different closing units (orifices) available which can also be exchanged subsequently.

Float traps equipped with control units DUPLEX, DUPLEX-MAX enable automatic temperature-dependent deaeration of saturated steam systems during start-up and continuous operation.

Pressure / Temperature Ratings & End Connections

UNA 23h/v, Flange PN 16, EN 1092-2, DN 15-50						
PMA (max. pressure)	[bar]g	16.0	16.0	12.0	9.6	
TMA (max. temperature)	[°C]	20.0	120.0	200.0	300.0	
Δ PMX (max. differential pressure)	[bar]	see table differential pressure				

UNA 25h/v, Flange PN 40, EN 1092-2, DN 15-50						
PMA (max. pressure)	[bar]g	40.0	38.3	31.6	25.0	
TMA (max. temperature)	[°C]	20.0	120.0	250.0	350.0	
Δ PMX (max. differential pressure)	[bar]	see table differential pressure				

UNA 26h/v, all end connections, DN 15-25						
PMA (max. pressure)	[bar]g	40.0	40.0	32.0	21.0	
TMA (max. temperature)	[°C]	20.0	100.0	250.0	400.0	
Δ PMX (max. differential pressure)	[bar]	see table differential pressure				

UNA 26h/v, all end connections, DN 40, 50						
PMA (max. pressure)	[bar]g	40.0	37.3	28.4	21.0	
TMA (max. temperature)	[°C]	20.0	100.0	250.0	400.0	
Δ PMX (max. differential pressure)	[bar]	see table differential pressure				

UNA 26h stainless steel, all end connections, DN 15-50						
PMA (max. pressure)	[bar]g	40.0	35.0	29.3	25.8	28.0*
TMA (max. temperature)	[°C]	20.0	100.0	200.0	300.0	300.0*
Δ PMX (max. differential pressure)	[bar]	see table differential pressure				

*) The indicated values are only applicable for flanges ASME Class 300.

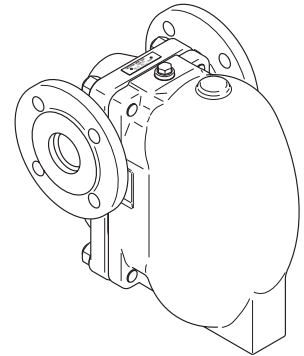
Product Range A1

UNA 23h/v

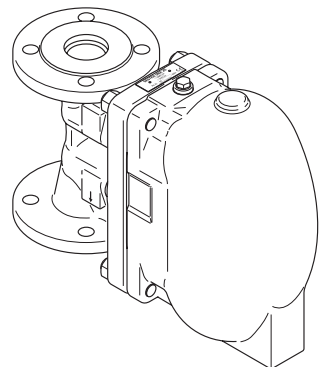
UNA 25h/v

UNA 26h/v

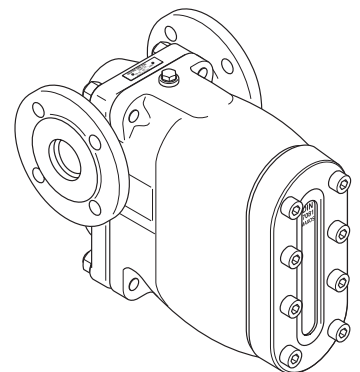
UNA 26h Stainless Steel



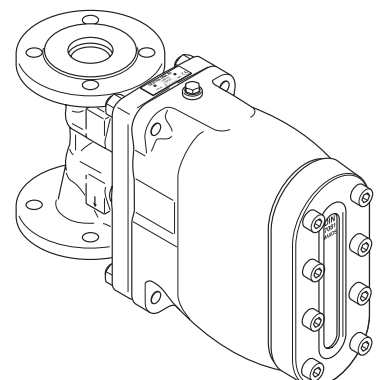
UNA 23h, UNA 25h, UNA 26h



UNA 23v, UNA 25v, UNA 26v



UNA 23h with sightglass cover



UNA 23v with sightglass cover

Orifices

Orifices (O) (Seat design)	Max. admissible differential pressure ΔPMX		UNA 23h/v	UNA 25h/v	UNA 26h/v	UNA 26h stainless steel
	[bar]	[psi]				
0 2	2	29.0	●	●	●	●
0 4	4	58.0	●	●	●	●
0 4 MAX (DN 40, 50)	4	58.0	●	●	●	●
0 8	8	116.0	●	●	●	●
0 8 MAX (DN 40, 50)	8	116.0	●	●	●	●
0 13	13	188.5	●	●	●	●
0 13 MAX (DN 40, 50)	13	188.5	●	●	●	●
0 22	22	319.1		●	●	●
0 22 MAX (DN 40, 50)	22	319.1		●	●	●
0 32	32	464.1		●	●	●
0 32 MAX (DN 40, 50)	32	464.1		●	●	●

Materials

Type	UNA 23h/v	
Designation	DIN / EN	ASTM*
Body / cover	EN-JL 1040	A 126 Cl. B
Screws, DN 15-25	1.7709	
Nuts & bolts, DN 40, 50	5.6 / 5-2	

Type	UNA 25h/v	
Designation	DIN / EN	ASTM*
Body / cover	EN-JS 1049	
Nuts & bolts	1.7709	

Type	UNA 26h/v	
Designation	DIN / EN	ASTM equivalent*
Body UNA 26h, DN 15-25	1.0460	A 105
Body UNA 26h, DN 40, 50	1.0619	A 216-WCB
Body UNA 26v	1.0619	A 216-WCB
Body UNA 26h stainless steel	1.4408	A 351-CF8M
Cover	1.0619	A 216-WCB
Cover UNA 26h stainless steel	1.4408	A 351-CF8M
Nuts & bolts	1.7709	
Nuts & bolts UNA 26h stainless steel	A 2-70	A 193-B8 / A 194-8
Nuts & bolts UNA 26h stainless steel, DN 40, 50	1.4980	

Type	Internals of rolling ball regulator (control unit SIMPLEX / DUPLEX)	
Designation	DIN / EN	ASTM equivalent*
Body gasket	graphite / CrNi	graphite / CrNi
Seat gasket	graphite / CrNi	graphite / CrNi
Seat (except UNA 26h stainless steel)	1.4305	AISI 303
Seat UNA 26h stainless steel	1.4571	AISI 316 Ti
Valve ball	1.4401	A 182 F316
Float	1.4571	AISI 316 Ti
Thermostat	1.4541	A 182 F321
Other internals	1.4301	A 182 F304

Type	Internals of bellows thermostat (control unit SIMPLEX- / DUPLEX-MAX)	
Designation	DIN / EN	ASTM equivalent*
Seat (orifice)	1.4571	AISI 316 Ti
Main valve	1.4122	
Valve needle	1.4122	
Valve seat	1.4305	AISI 303
Bellows	1.4541	A 182 F321
Membrane	austenitic steel / Hastelloy®	austenitic steel / Hastelloy®
Other internals	austenitic steel / Hastelloy®	austenitic steel / Hastelloy®

*) Guide only, direct comparison not possible.

Hastelloy® is a registered trademark of Haynes International Inc., Kokomo IN, USA

Orifices – continued –

Orifices (O) DN 15-25 (½" – 1")	K _{VS} value [m³/h]	Ø of bore [mm]
0 2	1.50	8.0
0 4	0.90	6.0
0 8	0.58	4.8
0 13	0.44	4.1
0 22	0.38	3.5
0 32	0.31	3.0

Orifices (O) DN 40, 50 (1½", 2")	K _{VS} value [m³/h]	Ø of bore [mm]
0 2	6.0	15.0
0 4	4.1	12.5
0 4 MAX	16.6	27.5
0 8	3.2	10.0
0 8 MAX	10.6	19.4
0 13	2.1	8.5
0 13 MAX	7.7	15.3
0 22	1.5	7.0
0 32	1.1	6.5

The K_V value is the measured flowrate of water (at 5 to 30 °C) in [m³/h] at a pressure drop of 1 bar and the associated opening degree of the closing unit (orifice).

The K_{VS} value is the K_V value when the closing unit (orifice) is completely open.

For more information refer to the Capacity Chart on page 10.

End dimensions of flanges (extract)

DN	EN 1092-1 (2001), PN 40				
	[mm]	15	20	25	40
[inch]	½	¾	1	1½	2
D	95	105	115	150	165
b	16	18	18	18	20
k	65	75	85	110	125
g	45	58	68	88	102
l	14	14	14	18	18
n	4	4	4	4	4
L	150	150	160	230	230
L _x	210	210	230	320	320
[kg]					

DN	ASME B16.5, CI 150					ASME B16.5, CI 300				
	[mm]	15	20	25	40	50	15	20	25	40
[inch]	½	¾	1	1 ½	2	½	¾	1	1 ½	2
D	88.9	98.4	107.9	127.0	152.4	95.2	117.5	123.8	155.6	165.1
b	11.1	12.7	14.3	17.5	19.0	14.3	15.9	17.5	20.6	22.2
k	60.3	69.8	79.4	98.4	120.6	66.7	82.5	88.9	114.3	127.0
g	34.9	42.9	50.8	73.0	92.1	34.9	42.9	50.8	73.0	92.1
l	15.9	15.9	15.9	15.9	19.0	15.9	19.0	19.0	22.2	19.0
n	4	4	4	4	4	4	4	4	4	8
L	210	210	230	320	320	210	210	230	320	320
L _x	210	210	230	320	320	210	210	230	320	320
[kg]										

Length of installation L to ISO = 6554. L_x = length of installation for UNA 26h stainless steel.
Other designs, special dimensions and other materials of end connections available on request.
For weight specifications see table "Weights".

End dimensions of screwed sockets (extract)

DN	EN ISO 228-1				
	[mm]	15	20	25	40
[inch]	½	¾	1	1½	2
b	15	16.3	19.1	21.4	25.7
L	200	200	200	255	255
L _x	150	150	160	255	255
[kg]					

DN	ASME B 1.20.1				
	[mm]	15	20	25	40
[inch]	½	¾	1	1½	2
b	13.6	14	16.8	17.3	17.7
L	200	200	200	255	255
L _x	150	150	160	255	255
[kg]					

L_x = length of installation for UNA 26h stainless steel. For weight specifications see table "Weights".
Other designs, special dimensions and other materials of end connections available on request.

End dimensions of butt-weld ends (extract)

DN	DIN 3239-1, DIN 2559-2				
	[mm]	15	20	25	40
[inch]	½	¾	1	1½	2
d ₂	22	28	34	49	61
d ₁	17.3	22.3	28.5	43	54
for pipe	21.3 x 2.0	26.9 x 2.3	33.7 x 2.6	48.3 x 2.6	60.3 x 3.2
b					
L	200	200	200	230	230
[kg]					

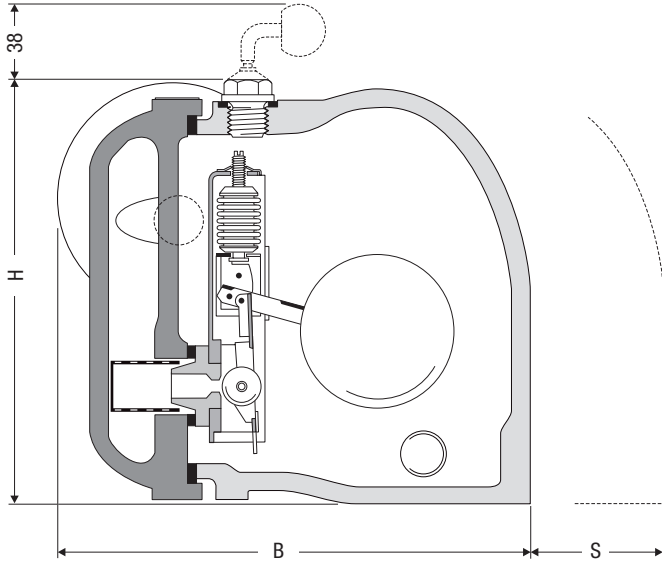
For weight specifications see table "Weights". Other designs, special dimensions and other materials of end connections available on request.

End dimensions of socket-weld ends (extract)

DN	DIN EN 12760, ASME B 16.11 CI 3000				
	[mm]	15	20	25	40
[inch]	½	¾	1	1½	2
D ₂	32.0	37.5	46.0	62.0	75.5
D ₁	22	27.5	34.3	49	61.5
for pipe					
b	10	13	13	13	16
L	200	200	200	230	230
L _x	140	140	150	230	230
[kg]					

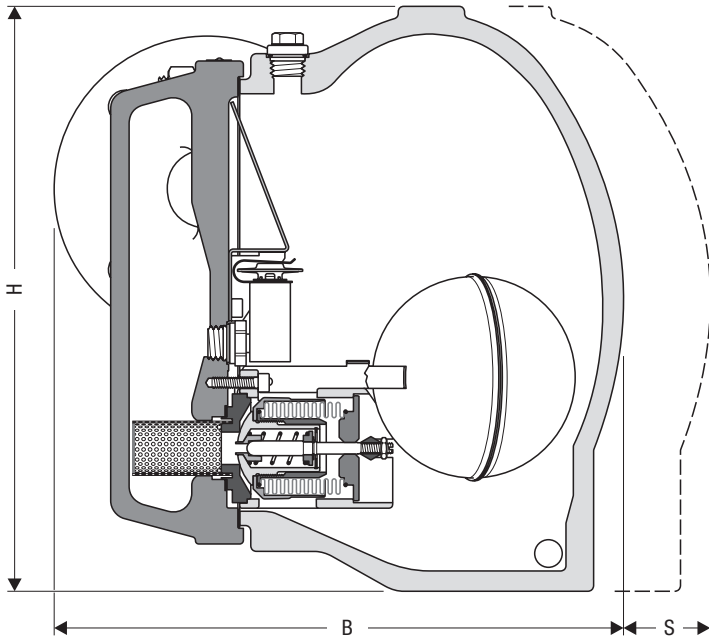
L_x = length of installation for UNA 26h stainless steel. For weight specifications see table "Weights".
Other designs, special dimensions and other materials of end connections available on request.

Dimensions



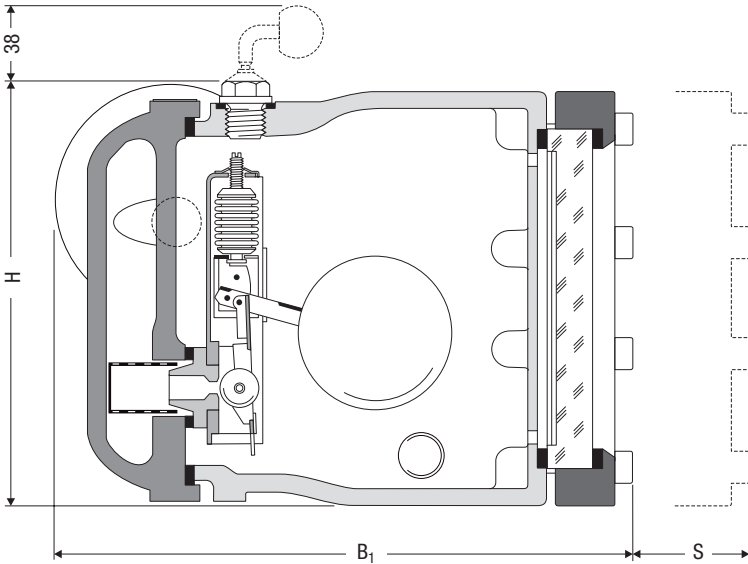
UNA 23h, UNA 25h, UNA 26h, UNA 26h stainless steel with control unit DUPLEX

S = space required for servicing
 DN 15 - 25 (½" - 1") ≈ 130
 DN 40, 50 (1½", 2") ≈ 200



UNA 23h, UNA 25h, UNA 26h, UNA 26h stainless steel with control unit DUPLEX-MAX

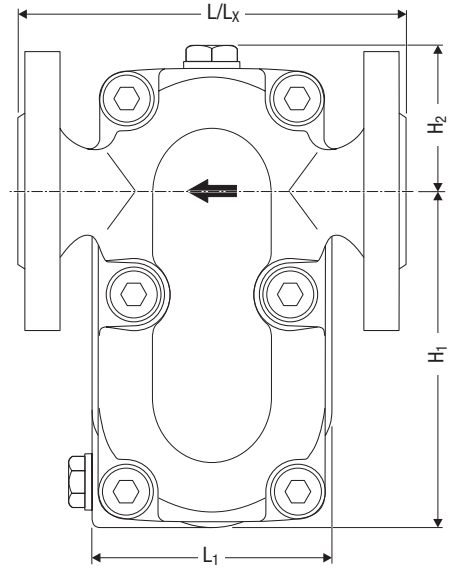
S = space required for servicing
 DN 15 - 25 (½" - 1") ≈ 130
 DN 40, 50 (1½", 2") ≈ 200



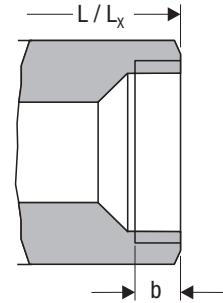
UNA 23h with control unit DUPLEX and sightglass cover
 Note that the sightglass cover is only available for UNA 23h/v.

S = space required for servicing
 DN 15 - 25 (½" - 1") ≈ 130
 DN 40, 50 (1½", 2") ≈ 200

Dimensions - continued -

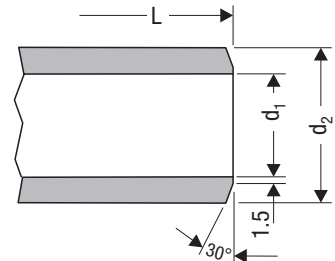


UNA 23h, UNA 25h, UNA 26h, UNA 26h stainless steel
 L_x = length of installation for UNA 26h stainless steel.

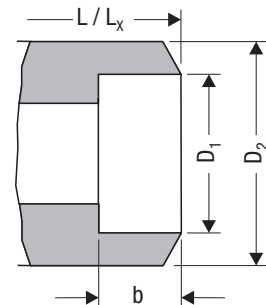


Screwed socket (UNA 26h)

L_x = length of installation for UNA 26h stainless steel.



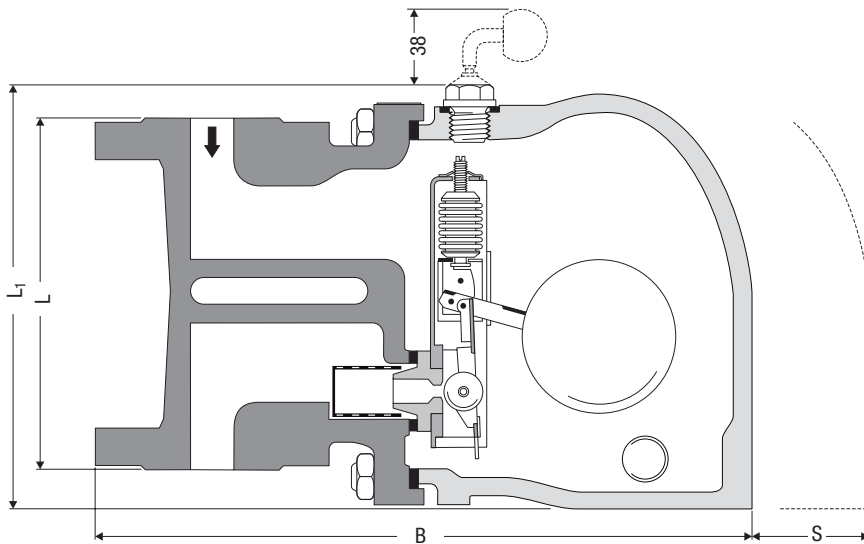
Butt-weld end (UNA 26h)



Socket-weld end (UNA 26h)

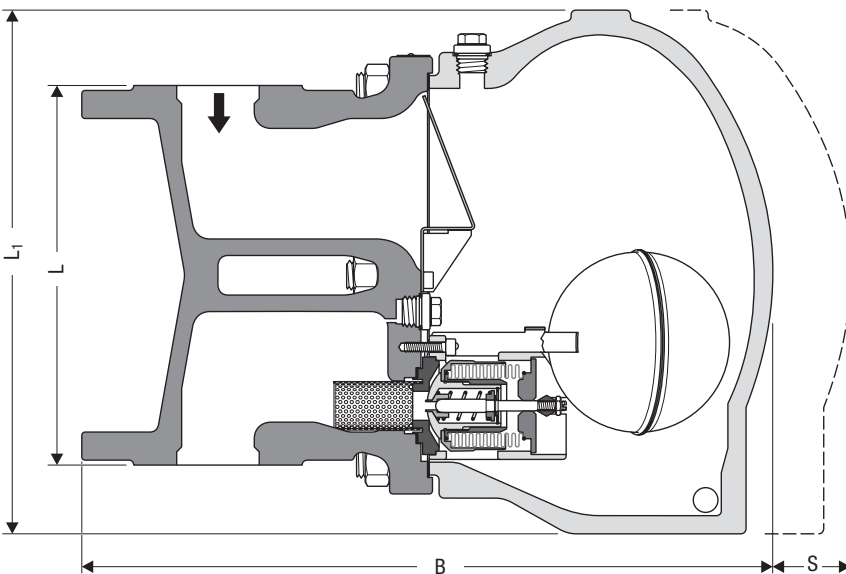
L_x = length of installation for UNA 26h stainless steel.

Dimensions – continued –



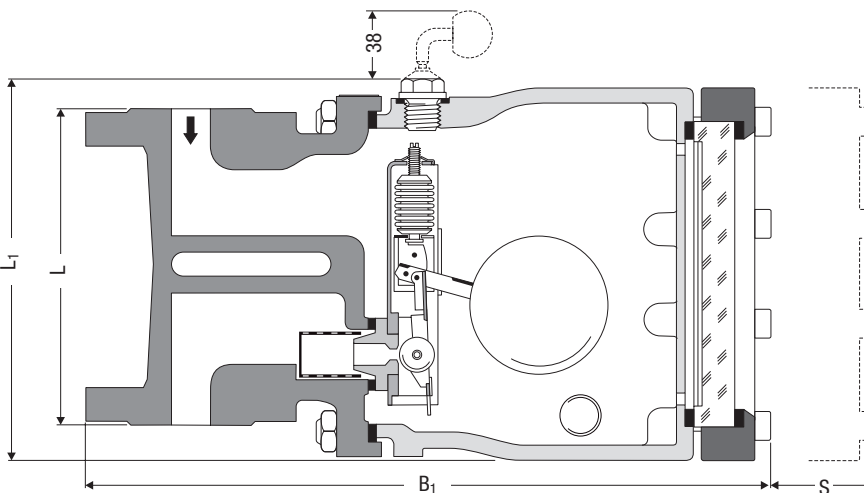
UNA 23v, UNA 25v, UNA 26v with control unit DUPLEX

S = space required for servicing
 DN 15 – 25 (½" – 1") ≈ 130
 DN 40, 50 (1½", 2") ≈ 200



UNA 23v, UNA 25v, UNA 26v with control unit SIMPLEX-MAX

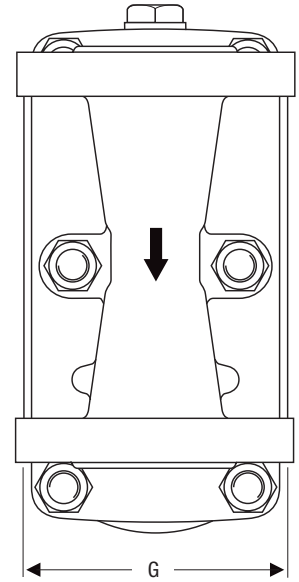
S = space required for servicing
 DN 15 – 25 (½" – 1") ≈ 130
 DN 40, 50 (1½", 2") ≈ 200



UNA 23v with control unit DUPLEX and sightglass cover
 Note that the sightglass cover is only available for UNA 23h/v.

S = space required for servicing
 DN 15 – 25 (½" – 1") ≈ 130
 DN 40, 50 (1½", 2") ≈ 200

Dimensions – continued –



UNA 23v, UNA 25v, UNA 26v

Dimensions – continued –

DN	[mm]	15	20	25	40	50
	[inch]	½	¾	1	1½	2
UNA 23h, UNA 25h, UNA 26h, UNA 26h stainless steel	L ₁	94	94	94	154	154
	B	199	204	209	301	308
	B ₁	232	237	242	341	349
	H	184	184	184	318	318
	H ₁	126	126	126	219	219
	H ₂	58	58	58	99	99
UNA 23v, UNA 25v, UNA 26v	L ₁	184	184	184	318	318
	B	267	272	282	411	418
	B ₁	310	315	320	451	459
	G	94	94	94	154	154

For lengths of installation L/L_x see table "End dimensions".
 L_x = length of installation for UNA 26h stainless steel.

Weight

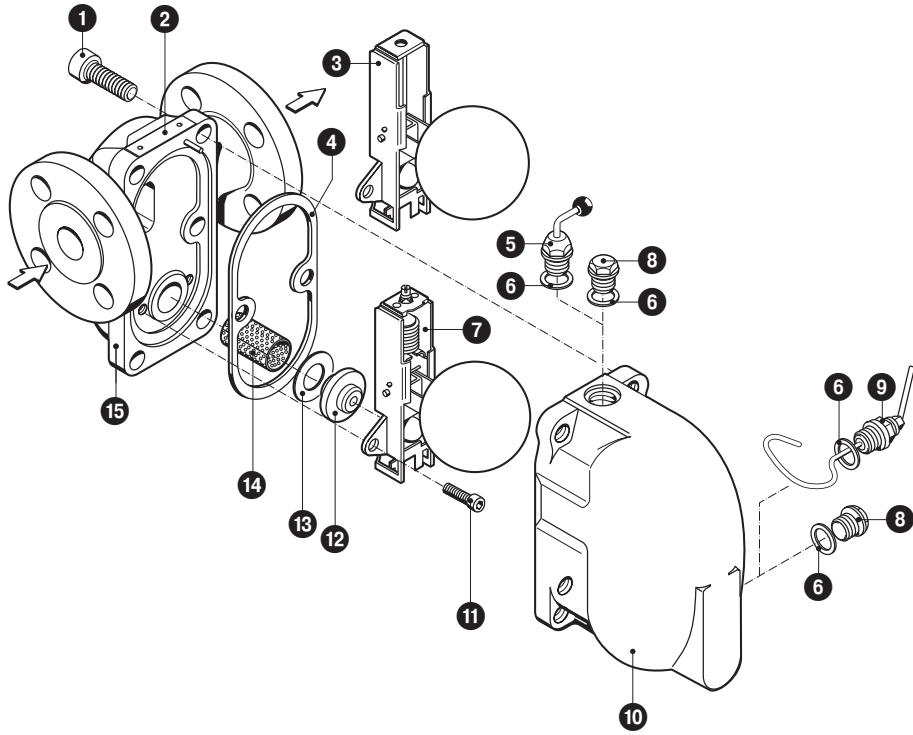
UNA23h/v, UNA 25h/v, UNA 26h/v with control unit SIMPLEX / DUPLEX		DN				
Connection / Flanges	[mm]	15	20	25	40	50
	[inch]	½	¾	1	1½	2
UNA 23h	[kg]	9	9.5	10	29	30
UNA 23h with sightglass cover	[kg]	11	11.5	12	34.5	35.5
UNA 23v	[kg]	8.5	9	10	30	31
UNA 23v with sightglass cover	[kg]	10.5	11	12	35.5	36.5
UNA 25h	[kg]	9.5	10	10.5	30	31
UNA 25v	[kg]	9	9.5	10.5	31	32
UNA 26h	[kg]	9.5	10	10.5	30	31
UNA 26h stainless steel	[kg]	10	10.5	11	31	32
UNA 26v	[kg]	9	9.5	10.5	31	32

Weight of all traps fitted with a SIMPLEX-MAX or DUPLEX-MAX control unit: add 1 kg.

UNA26h with control unit SIMPLEX / DUPLEX		DN				
Connection /	[mm]	15	20	25	40	50
	[inch]	½	¾	1	1½	2
Screwed	[kg]	8	7.9	7.8	25.4	25.3
Butt-weld	[kg]	8.5	8.4	8.3	26.4	26.3
Socket-weld	[kg]	8.5	8.4	8.3	26.4	26.3

Weight of all traps fitted with a SIMPLEX-MAX or DUPLEX-MAX control unit: add 1 kg.

Component parts of UNA 23h, UNA 25h, UNA 26h with control unit SIMPLEX / DUPLEX

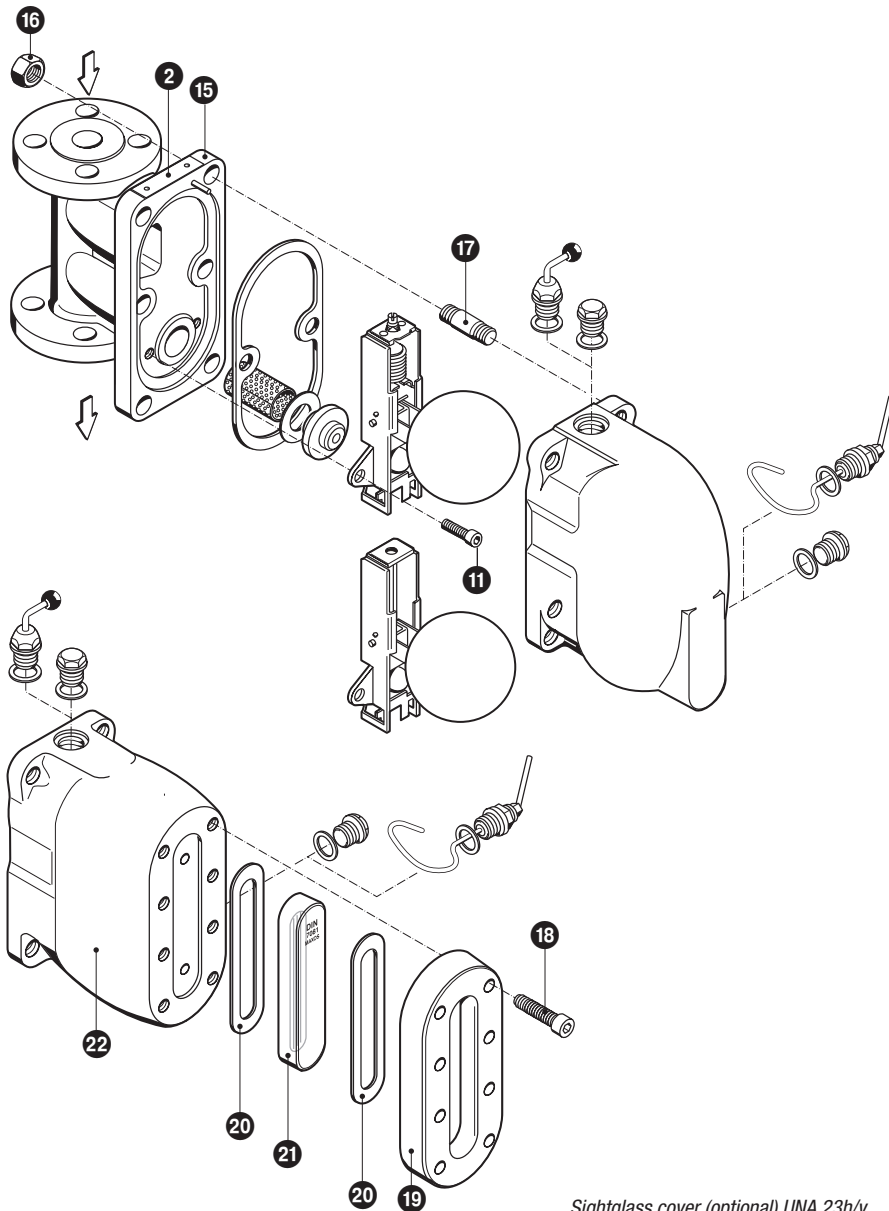


Key

- 1 Hexagon-socket screw
- 2 Name plate
- 3 Control unit SIMPLEX
- 4 Body gasket (graphite/CrNi)
- 5 Hand vent valve
- 6 Gasket
- 7 Control unit Duplex
- 8 Plug
- 9 Float lifting lever with separate lever extension
- 10 Cover
- 11 Hexagon-socket screw
- 12 Orifice
- 13 Seat gasket for control unit SIMPLEX / DUPLEX
- 14 Protective sleeve against wear
- 15 Body
- 16 Hexagon nut
- 17 Fixing stud
- 18 Hexagon-socket screw
- 19 Flange for sightglass cover
- 20 Gasket (graphite/CrNi)
- 21 Water-level gauge glass
- 22 Sightglass cover

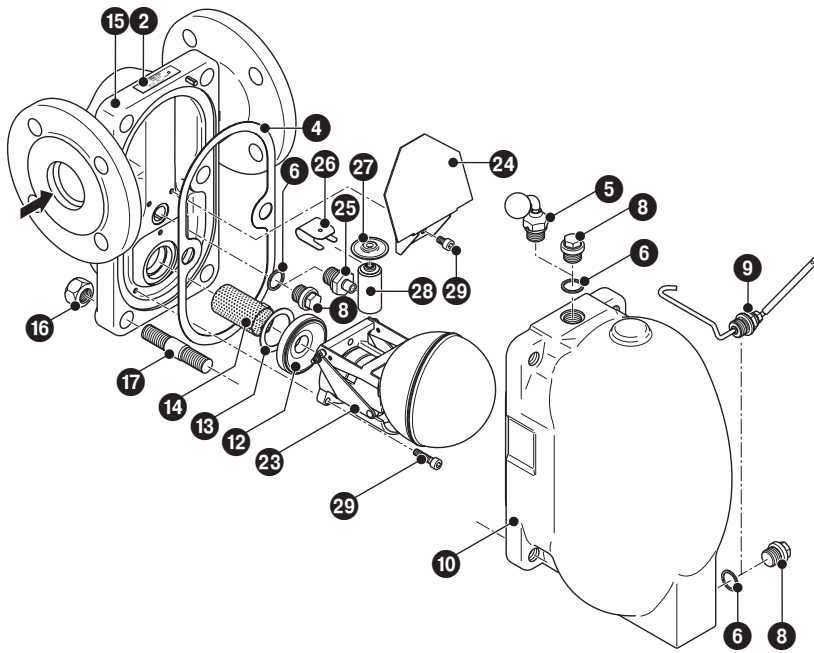
Spare parts list see pages 8 and 9

Component parts of UNA 23v, UNA 25v, UNA 26v with control unit SIMPLEX / DUPLEX

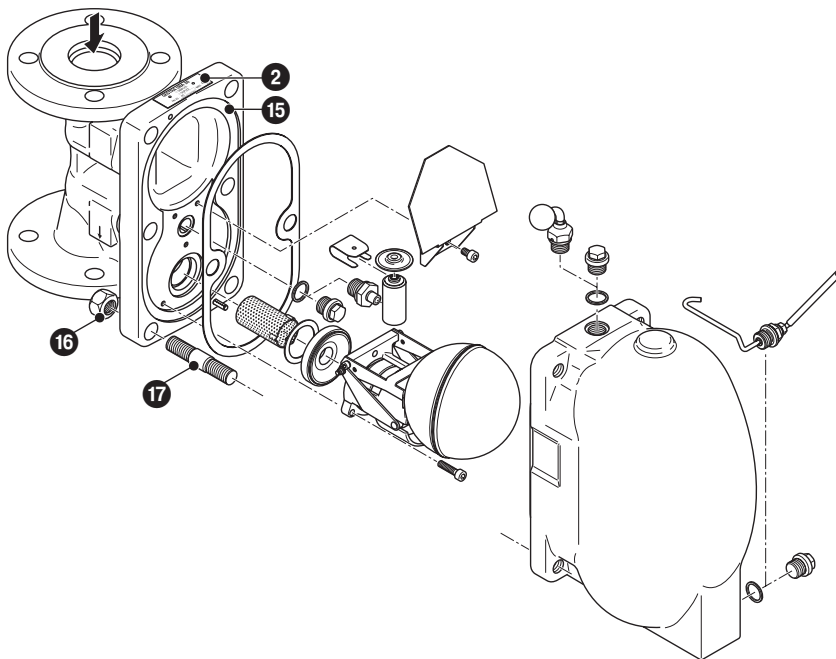


Sightglass cover (optional) UNA 23h/v

**Component parts of UNA 23h, UNA 25h, UNA 26h
with control unit SIMPLEX-MAX / DUPLEX-MAX**



**Component parts of UNA 23v, UNA 25v, UNA 26v
with control unit SIMPLEX-MAX / DUPLEX-MAX**



Key

- 1 Hexagon-socket screw
- 2 Name plate
- 3 Control unit SIMPLEX
- 4 Body gasket (graphite/CrNi)
- 5 Hand vent valve
- 6 Gasket
- 7 Control unit Duplex
- 8 Plug
- 9 Float lifting lever with separate lever extension
- 10 Cover
- 11 Hexagon-socket screw
- 12 Orifice
- 13 Seat gasket for control unit SIMPLEX / DUPLEX
- 14 Protective sleeve against wear
- 15 Body
- 16 Hexagon nut
- 17 Fixing stud
- 18 Hexagon-socket screw
- 19 Flange for sightglass cover
- 20 Gasket (graphite/CrNi)
- 21 Water-level gauge glass
- 22 Sightglass cover
- 23 Control unit SIMPLEX-MAX / DUPLEX-MAX
- 24 Deflector
- 25 Support
- 26 Bracket
- 27 Thermostatic capsule 5N2 (deaeration)
- 28 Venting pipe
- 29 Hexagon-socket screw

Spare parts list see pages 8 and 9

Spare Parts List for UNA 23h/v, UNA 25h/v, UNA 26h/v

Item	Designation	Stock code #	Stock code #	
		DN 15 – 25	DN 40 + 50	
4	Body gasket ¹⁾ (graphite/CrNi)	560 491	560 492	
6	Gasket ¹⁾	560 486	560 486	
20	Sightglass gasket ²⁾ (graphite/CrNi)	560 487	560 488	
20 21	Sightglass (level-indicating gauge) with gasket	560 481	560 480	
13	Seat gasket ¹⁾ (graphite/CrNi)	560 489	560 490	
	Seat gasket ²⁾ (graphite/CrNi) control unit MAX		560 547	
4 7 11 12 13	Control unit DUPLEX, complete	Orifice 2	560 073	560 088
		Orifice 4	560 074	560 089
		Orifice 4 MAX		560 575
		Orifice 8	560 075	560 090
4 6 12 13 23 25 26 27 28 29	Control unit DUPLEX-MAX, complete	Orifice 8 MAX		560 576
		Orifice 13	560 076	560 091
		Orifice 13 MAX		560 577
		Orifice 22	560 077	560 092
		Orifice 22 MAX		560 578
		Orifice 32	560 078	560 093
		Orifice 32 MAX		560 579
3 4 11 12 13	Control unit SIMPLEX, complete	Orifice 2	560 067	560 082
		Orifice 4	560 068	560 083
		Orifice 4 MAX		560 580
		Orifice 8	560 069	560 084
		Orifice 8 MAX		560 581
4 12 13 23 29	Control unit SIMPLEX-MAX, complete	Orifice 13	560 070	560 085
		Orifice 13 MAX		560 582
		Orifice 22	560 071	560 086
		Orifice 22 MAX		560 583
		Orifice 32	560 072	560 087
3 4 11 13	Control unit SIMPLEX, complete without orifice	560 079	560 094	
4 7 11 13	Control unit DUPLEX up to 13 bar, complete without orifice	560 080	560 095	
4 7 11 13	Control unit DUPLEX above 13 bar, complete without orifice	560 081	560 096	
11 12 13	Orifice, complete without control unit	Orifice 2	560 040	560 046
		Orifice 4	560 041	560 047
		Orifice 4 MAX		560 570
		Orifice 8	560 042	560 048
		Orifice 8 MAX		560 571
		Orifice 13	560 043	560 049
		Orifice 13 MAX		560 572
		Orifice 22	560 044	560 050
		Orifice 22 MAX		560 573
		Orifice 32	560 045	560 051
5 6	Hand vent valve with gasket	560 058		
6 25 26 27 28	Air-venting unit, complete, for control unit DUPLEX-MAX		560 548	

¹⁾ Minimum order quantity 20 items.

²⁾ Minimum order quantity 10 items. Contact your local dealer for smaller quantities.

Spare Parts List for UNA 26h stainless steel

Item	Designation	Stock code #		
		DN 15 – 25	DN 40 + 50	
4	Body gasket 1) (graphite/CrNi)	560 491	560 492	
6	Gasket 2)	560 514	560 514	
13	Seat gasket 1) (graphite/CrNi)	560 489	560 490	
	Seat gasket 2) (graphite/CrNi) control unit MAX		560 547	
4 7 11 12 13	Control unit DUPLEX, complete	Orifice 2	560 394	560 388
		Orifice 4	560 395	560 389
		Orifice 4 MAX		560 575
		Orifice 8	560 396	560 390
4 6 12 13 23 25 26 27 28 29	Control unit DUPLEX-MAX, complete	Orifice 8 MAX		560 576
		Orifice 13	560 397	560 391
		Orifice 13 MAX		560 577
		Orifice 22	560 398	560 392
		Orifice 22 MAX		560 578
		Orifice 32	560 399	560 393
		Orifice 32 MAX		560 579
3 4 11 12 13	Control unit Simplex , complete	Orifice 2	560 097	560 104
		Orifice 4	560 098	560 105
		Orifice 4 MAX		560 580
		Orifice 8	560 099	560 106
4 12 13 23 29	Control unit SIMPLEX-MAX, complete	Orifice 8 MAX		560 581
		Orifice 13	560 100	560 107
		Orifice 13 MAX		560 582
		Orifice 22	560 101	560 108
		Orifice 22 MAX		560 583
3 4 11 13	Control unit SIMPLEX, complete without orifice	Orifice 32	560 102	560 109
		Orifice 32 MAX		560 584
			560 103	560 110
4 7 11 13	Control unit DUPLEX up to 13 bar, complete without orifice	560 401	560 403	
4 7 11 13	Control unit DUPLEX above 13 bar, complete without orifice	560 400	560 402	
11 12 13	Orifice, complete without control unit	Orifice 2	560 111	560 117
		Orifice 4	560 112	560 118
		Orifice 4 MAX		560 570
		Orifice 8	560 113	560 119
		Orifice 8 MAX		560 571
		Orifice 13	560 114	560 120
		Orifice 13 MAX		560 572
		Orifice 22	560 115	560 121
		Orifice 22 MAX		560 573
		Orifice 32	560 116	560 122
	Orifice 32 MAX		560 574	
5 6	Hand vent valve with gasket	560 125		
6 25 26 27 28	Air-venting unit, complete, for control unit DUPLEX-MAX		560 548	

1) Minimum order quantity 20 items.

2) Minimum order quantity 10 items. Contact your local dealer for smaller quantities.

Steam Traps

UNA 23h/v

UNA 25h/v

UNA 26h/v

UNA 26h Stainless Steel

Capacity Chart

The chart shows the maximum capacities of hot condensate for the range of orifices.

The capacities are dependent on the differential pressure (working pressure). The differential pressure is the difference between inlet and outlet pressures and depends among other things on the run of the pipe. If the condensate downstream of the trap is lifted, the differential pressure is reduced by approximately 1 bar for 7 m in lift.

The max. admissible differential pressure is a function of the cross-sectional area of the orifice and the density of the fluid to be discharged.

Solid line curves

show the max. flowrate of hot condensate that the steam traps UNA 23, UNA 25 and UNA 26 can discharge with virtually no banking-up.

The cold water capacities are:

Capacity of hot condensate multiplied by factor F.

Cold water capacity UNA 2.-MAX

The cold water capacity of steam traps with SIMPLEX-MAX / DUPLEX-MAX control unit is:

Flowrate multiplied by factor F.

For differential pressure $\Delta PMX > 1$ bar the following factors are applicable:

AO 4 MAX, AO 8 MAX: factor F = 1.65

AO 13 MAX, AO 22 MAX, AO 32 MAX: factor F = 1.45

When ordering please indicate

Body material, material of screws/bolts, steam pressure & temperature, back pressure, condensate flowrate, trap model, end connection, size, orifice number, details of application or type of steam user.

The following test certificates can be issued on request, at extra cost:

In accordance with EN 10204-2.1, -2.2, -3.1 and 3.2.

All inspection requirements have to be stated with the order. After supply of the equipment certification cannot be established. For other test certificates, tests and inspection charges please consult us.

PED (Pressure Equipment Directive)

The equipment fulfills the requirements of the Pressure Equipment Directive PED 97/23/EC.

UNA 23 and UNA 25 for applications with fluids of group 2; UNA 26, UNA 26h stainless steel and UNA 27h for applications with fluids of group 1 and 2.

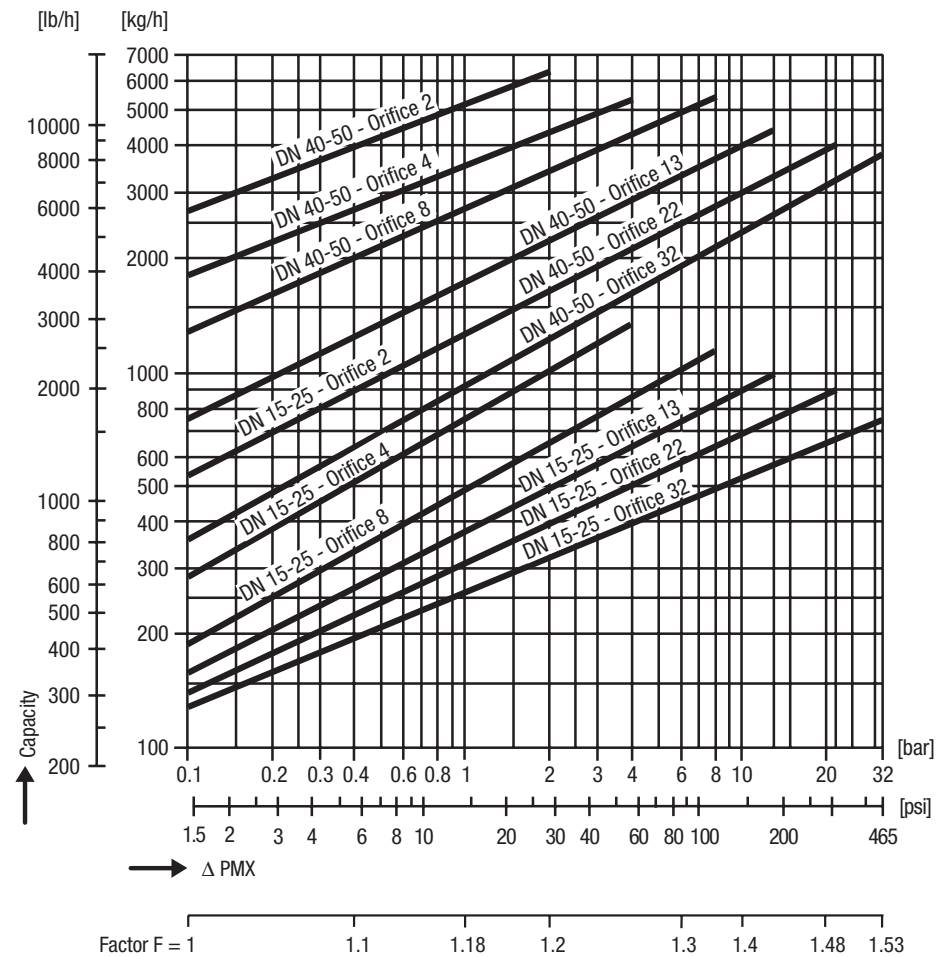
With CE marking (apart from equipment according to section 3.3).

ATEX (Atmosphère Explosible)

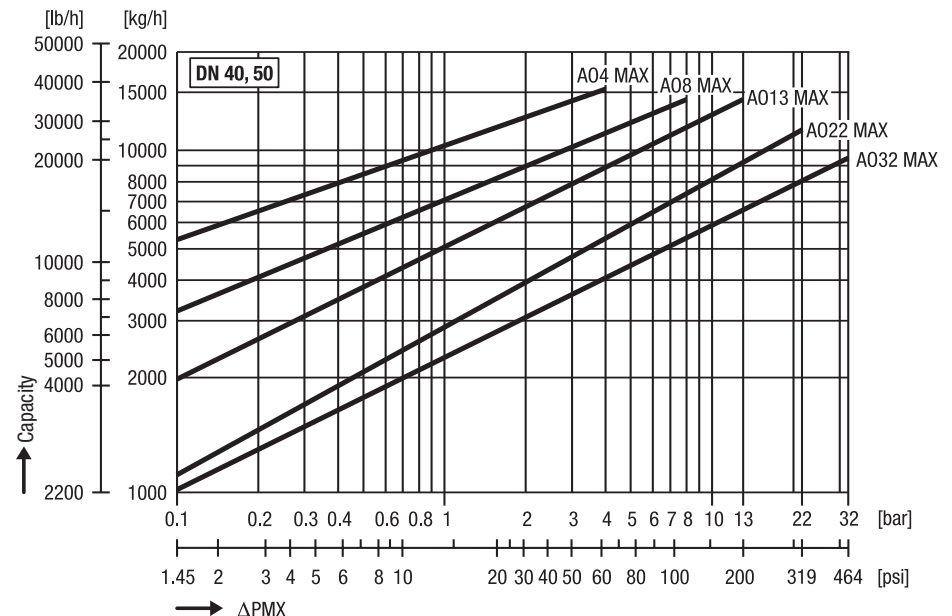
The equipment does not have its own potential source of ignition and is therefore not subject to the ATEX Directive 94/9/EC. The equipment can be used in potentially explosive areas 0, 1, 2, 20, 21, 22 (1999/92/EC). The equipment is not Ex marked.

Supply in accordance with our general terms of business.

Capacity Chart



UNA 23h/v, UNA 25h/v, UNA 26h/v, UNA 26h stainless steel with control unit SIMPLEX / DUPLEX



UNA 23, UNA 25, UNA 26, UNA 26h stainless steel, DN 40, 50, with control unit SIMPLEX-MAX / DUPLEX-MAX

GESTRA AG

P. O. Box 10 54 60, D-28054 Bremen

Münchener Str. 77, D-28215 Bremen

Telephone +49 (0) 421 35 03 - 0, Fax +49 (0) 421 35 03-393

E-Mail gestra.ag@flowserve.com, Internet www.gestra.de

